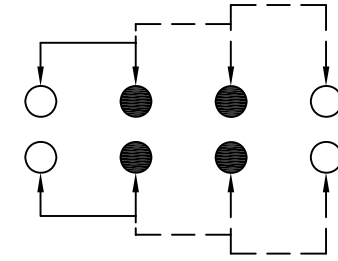
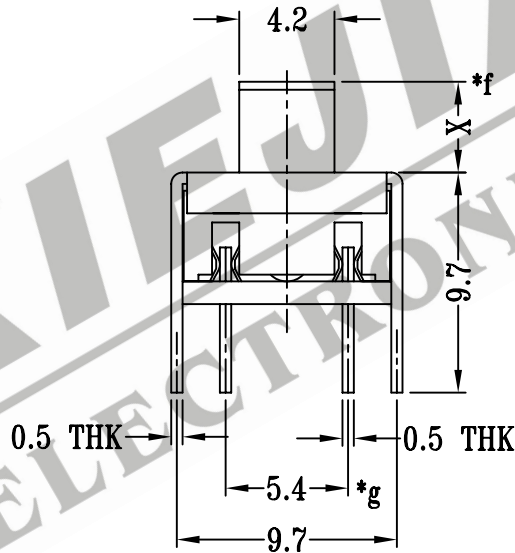
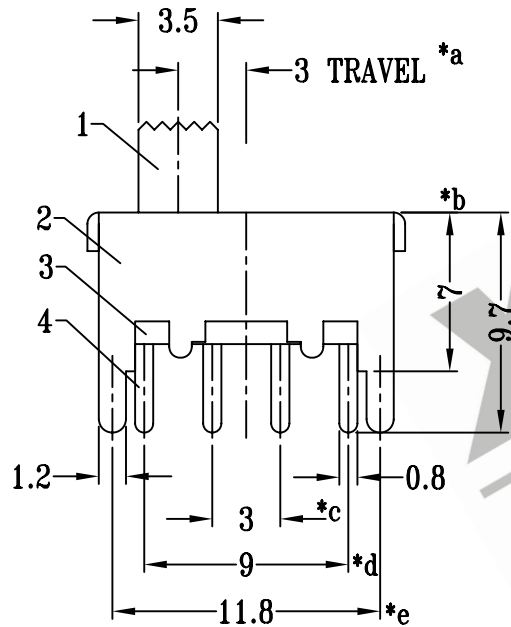
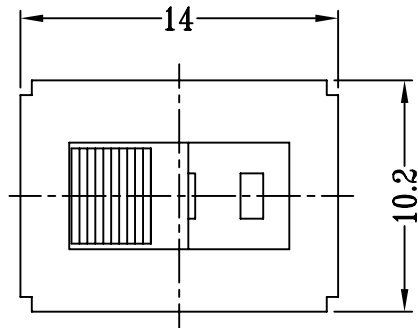
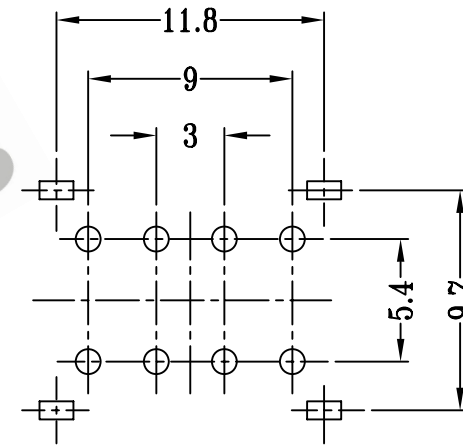


CAD FILE:



SCHEMATIC (NON-SHORTING)



P.C.B LAYOUT

注:带*表示关键尺寸(7个)

8					TOLERANCE UNLESS SPECIFIED	SHENZHEN XIEJIA ELECTRONICS CO.,LTD.				
7	STEEL BALL	STEEL	1	NATURAL						
6	SPRING	STEEL WIRE	1	TEMPER	WITHIN: 1.5±0.1mm	ISSUE	DATE	DESCRIPTIONS OF REVISION		APPD.
5	CONTACT CLIP	PBS STRIP	2	Ag PLATED	OVER: 1.5±0.2mm					
4	TERMINAL	BRASS STRIP	8	Ag PLATED OVER Ni PLATED	TITLE : VERTICAL SLIDE SWITCH		UNIT : mm	DRWG NO.: XJ-DR-SS23F06-00		
3	BASE	PHENOLIC RESIN	1	NATURAL	MODEL: SS-23F06		SCALE: 3:1	DWN.	ZHOUYU	2002-5-27
2	FRAME	STEEL STRIP	1	Ni PLATED	ALL MATERIALS MUST BE COMPLIANT TO ROHS			CHK'D	FANGYING	2002-5-27
1	KNOB	POM	1	BLACK			APPD.	KANGXINAN	2002-5-27	
NO.	PARTS	MATERIALS	Q'TY	FINISH						